

Sample linear actuator order sheet

Date: _____

Customer information:

Company Name: _____

Contact Name: _____ Title: _____

Tel: _____ Email: _____

Ship to address: _____

City: _____ State/Province: _____ Postal code: _____

Country: _____ Attention: _____

Application, Usage and Target price information

Project Number or Name: _____

Application: _____

Target price (USD): _____ Estimated annual quantity: _____ Release qty: _____

Sample quantity: _____ Required delivery date: _____

Technical requirements:

Voltage: 110 220 50 Hertz 60 Hertz DC Voltage: _____

Thrust load: _____ Pounds Kg Newton's Tension Compression Both

Requested travel speed: _____ Inch per second Millimeter per second

Comments: _____

Power Cord Length: _____ Inch Millimeter Note, measured from switch cover to connector.

Connector brand: _____ Part number: _____

Pin Part number: _____ Over molded: Yes No

Feed Back: Potentiometer, If yes 1K 10K, Optical Sensor Reed switch

Hall effect None

If feed back, Connector brand: _____ Part number: _____

Pin part number: _____ Length of cord: _____ Inch Millimeter

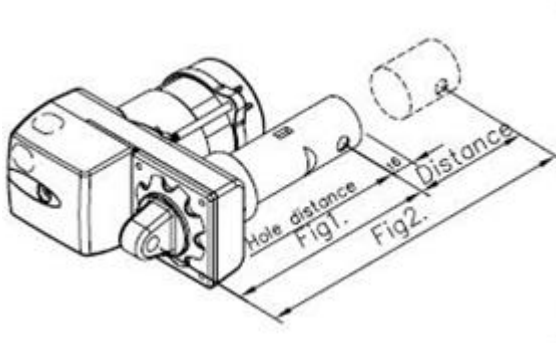


Cord set output location on switch cover:



Trunnion Position:

Hole to Hole: Fig. 1 _____ Fig 2 _____ Inch Millimeter



Noise standard: _____ db. With Background noise 45db, meter 12 inch's from motor.

Notes or any sketches :

Please contact us if you have any questions.